



SIOGREEN

INFRARED TANKLESS WATER HEATERS

OPERATION & INSTALLATION MANUAL



Model: SIO 14 & SIO 18

Electric Tankless Hot Water Generators

Table of Contents

SAFETY INFORMATION	1
INTRODUCTION	2
Unit Operation:	2
Unit Freezing:	3
Maintenance:	3
Included Parts List:	3
Required Parts List:	3
INTERFACE	4
MOUNTING YOUR WATER HEATER	5
PLUMBING INSTALLATION	6
ELECTRICAL INSTALLATION	7
ELECTRIC INSTRUCTIONS FOR U.S.	7
ELECTRIC INSTRUCTIONS FOR CANADA	10
How to calibrate your hot water using water valve	13
SIZING GUIDE	13
TROUBLE SHOOTING	14
WARRANTY	15

Thank you for choosing SioGreen products. The most advanced tankless water heaters in the world today using quartz technology and true modulation. All of our products are made with the highest grade materials and professionally assembled.

We strive to satisfy each customer with our unit's superior quality, longevity, and the modern design of all our products.

Before use of the unit, please carefully read and understand the manual. It contains important information regarding the correct use and care of the unit.

SAFETY INFORMATION

IT IS IMPORTANT TO COMPLETELY READ AND UNDERSTAND THE INSTALLATION PROCEDURES BEFORE CONTINUING THE INSTALLATION.

FAILURE TO FOLLOW THESE INSTRUCTIONS MAY RESULT IN PROPERTY DAMAGE, SERIOUS BODILY INJURY, OR DEATH.

THIS PRODUCT SHOULD BE INSTALLED BY A LICENSED ELECTRICIAN AND PLUMBER IN ACCORDANCE WITH ALL NATIONAL, STATE, AND LOCAL ELECTRICAL & PLUMBING CODES.

Keep this manual in a convenient place for future reference.

Check our website,
www.SioGreenUSA.com for the
latest version of the Installation &
User Manual.

DANGER! WATER TEMPERATURE SAFETY SETTING

Safety is our primary goal when selecting the water temperature. Any temperature above 120°F can cause serious scalding or death. Energy conservation is a factor to be considered when selecting the water temperature. Setting the water heater's thermostat to a lower setting will allow a higher flow rate and use less energy.

INTRODUCTION

SioGreen Tankless hot water heaters do not store water like a conventional tank-type water heater. It contains multiple high powered quartz heating tube elements that are capable of heating water “on-demand” and continuously as needed, so you will never have to worry about running out of hot water again.

The unit’s working principle and designs are simple. When the power is turned on, the microprocessor will check the temperature sensor and current leakage sensor, if there are no errors, the hot water generator is ready to work.

The performance of the products listed are dependent on incoming water temp, water flow rate, and set temperature of the thermostat. In order for it to function properly it must be matched by location, application, and unit size. As it requires no venting, all units can be installed literally anywhere that is convenient for the owner.

This product should be installed indoors only. An outdoor installation is permitted as long as it is mounted in a suitable enclosure that protects it from all-weather elements including freezing. Freezing of the unit may result in permanent damage and will void the warranty.

Unit Operation:

When you open the hot water valve, the flow sensor activates at a minimum water flow. The flow sensor sends the information to the temperature controller to begin modulating the heating elements to heat the water as it passes through the quartz heating tubes and to maximize efficiency.

If the water flow rate exceeds the maximum heating capacity of the unit, the unit will reach a maximum achievable temperature based on flow rate and unit size. When a reduction in the excessive flow rate is made, the unit will achieve the set point temperature.

When the fixture is closed, the demand stops, the flow sensor sends information to the controller to turn off the power to the quartz heating elements. The unit remains in it standby mode until the demand for the hot water is needed.

Unit Freezing:

In case of freezing, please wait for the complete defrosting of the unit before using. Verify this by running water through it before turning on the power. Activating unit while still frozen will damage the heaters internal components and void the warranty.

Maintenance:

This unit requires no maintenance. To extend unit service life, it is recommended to use an inlet pre filter or y-strainer, check, and clean it periodically. This is an additional part from the internal screen included with the unit. Do not attempt to open the case to make adjustments, repairs, or for any reason. Opening of unit will void all warranties and could result in serious injury or property damage.

Included Parts List:

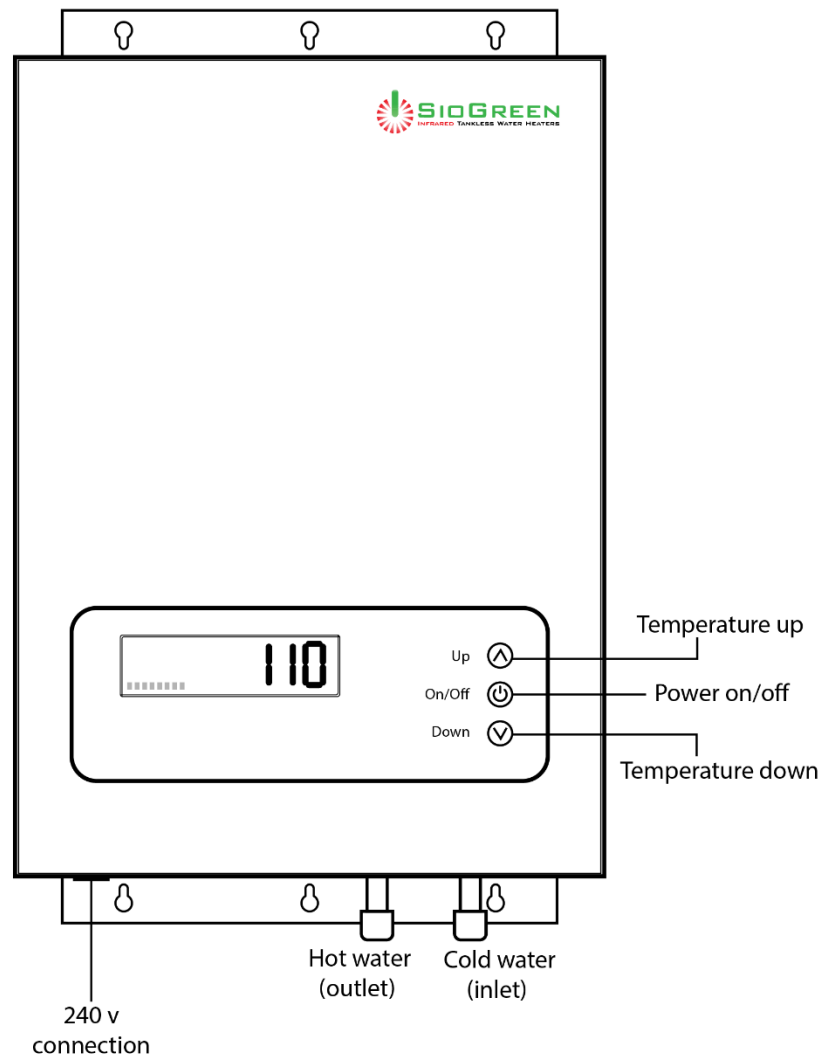
- Electric water heater
- Wall Mount bracket
- Screws
- Internal screen

Required Parts List:

- Inlet Pre-Filter or Y-Strainer
- Shut Off Valve
- Gate Valve

INTERFACE

SIO 14 & SIO 18



Power

- Press button to turn the system on and off

Display

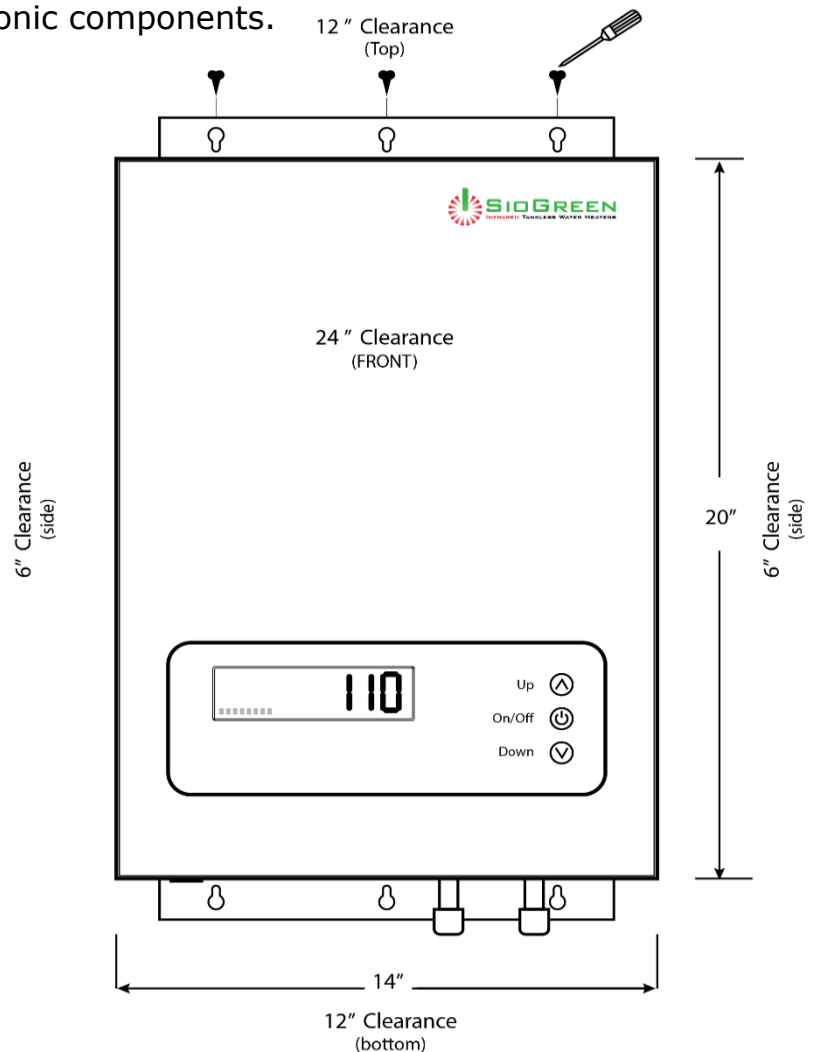
- Once power is turned on, the target temperature will be displayed

Temperature Control


- Pressing \triangle Up Arrow – Increase Temperature
- Pressing \blacktriangledown Down Arrow – Decrease Temperature

MOUNTING YOUR WATER HEATER

1. Leave a minimum of 6" to both sides and 12" on the top and bottom of the unit for clearance and maintenance. A minimum clearance of 24" in front of the unit must be provided for safe removal of the front cover, for installation, advanced troubleshooting, and service if required.
2. Mount the electric hot water generator securely to the wall with six (6) screws. The two (2) mounting brackets located at the top and bottom of the unit with eyelet holes.
3. This unit must only be mounted in a vertical position with the electrical and water fittings located at the bottom of the unit.
4. Avoid installing the hot water generator in a corrosive environment, as this may cause damage to the electronic components.
5. Installation of the hot water generator must be in accordance with all National and Local codes having Jurisdiction and installed by a Licensed Contractor.



PLUMBING INSTALLATION

 CAUTION: Breaker must remain off until installation is complete.

Step 1: Flush cold water line to clear any debris before connecting to unit.

Step 2: Install a shut off valve and pre filter (Not Supplied) to prevent any particles entering the unit that may clog or damage the internal parts.

Step 3: Using flexible lines, connect the Cold Water line to the water heater inlet labeled as "cold". Connect furnished Water Valve to the water heater outlet labeled as "hot". Connect the HOT WATER outlet line to the Water Valve.

Step 4: Verify all fittings are tight and secure. Open hot water source and allow water to run through the water heater for at least 1 to 2 minutes. This will purge the air from the water lines and must be performed prior to turning on the power at the unit. This is a Mandatory step to prevent Damage to Heating Elements.

DO NOT solder any fittings to unit. This will damage internal sensors and components and void the warranty. Use flexible lines and screw fittings only to unit.

A TP valve is not required in most jurisdictions. Verify your local codes accordingly and if required install on outlet side only.

Verify all connections are free of leaks.

Model	Minimum Flow	Maximum Flow	Connection
SIO 14	.50 GPM	4.0 GPM	3/4" NPT
SIO 18	.50 GPM	4.4 GPM	3/4" NPT

ELECTRICAL INSTALLATION

THE FOLLOWING ELECTRIC INSTRUCTIONS ARE FOR U.S. CUSTOMERS

 CAUTION: Breaker must remain off until installation is complete. **SERIOUS BODILY INJURY OR DEATH COULD OCCUR IF YOU IGNORE THIS WARNING.**

SioGreen products must be installed by a licensed and qualified electrician in accordance with all applicable national, state, and local electrical codes depending on country.

Before installing this product, ensure that the home has sufficient electrical power available to handle the maximum amperage load of the applicable model.

IMPORTANT NOTES:

These units will require 2 sets of wire (see wiring diagram), 1 ground wire and 2 breakers. Please see specifications by model and wiring diagram for additional information.

Specifications by Model (U.S.)

MODEL NUMBER	MAX KW	VOLTS	MINIMUM BREAKER	MAX POWER (AMP)	MINIMUM WIRE
SIO 14	14.0	240	2 X 30 AMP	58.4	2 x 10 AWG
SIO 18	18.0	240	2 X 40 AMP	75	2 x 8 AWG

Step 1: Remove cover of the water heater carefully and locate the electrical disconnect breaker on the bottom left hand corner facing the unit.

Step 2: Use the correct wire gauge that meets all NEC or country of installation guidelines based on the size of the breakers used to feed the unit and the length of the wire run. Then run the set of wires from the home’s main panel to the tankless water heater. (See above chart for minimum wire size) This minimum wire size is based on maximum of 50’ of length.

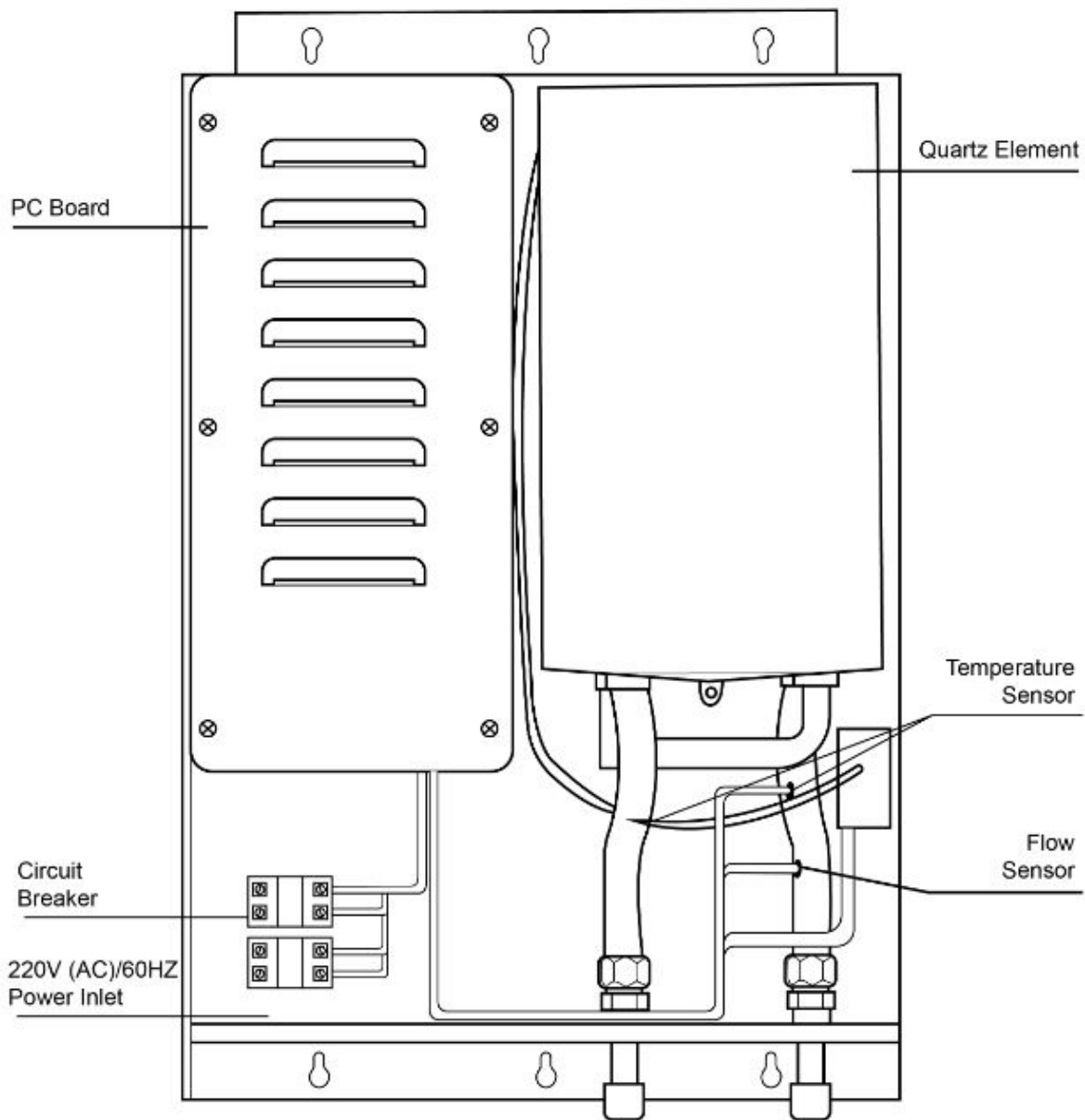
Step 3: Take each wire pair and connect them to one breaker (see wiring diagram). Make sure that each breaker is connected with one red wire and one black wire.

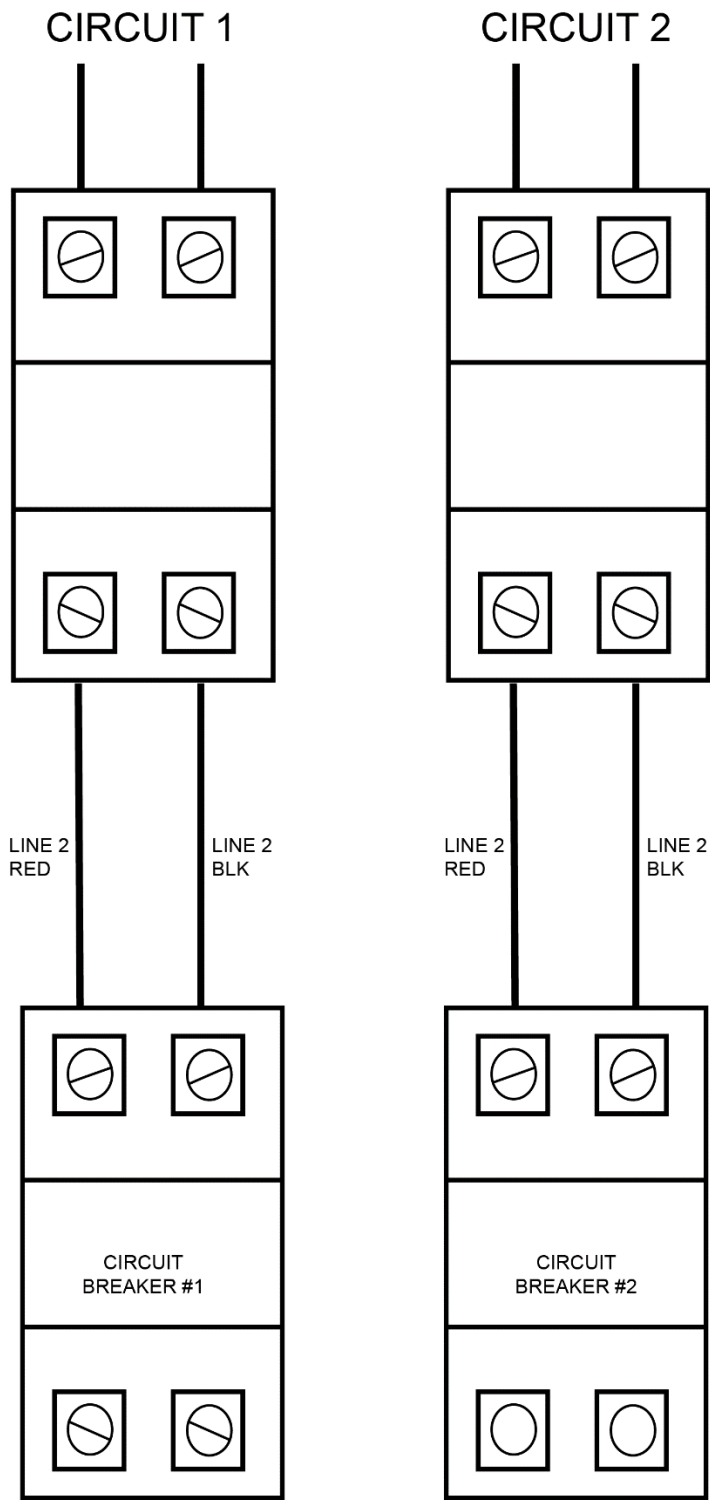
Step 4: A separate ground conductor is required for each incoming circuit.

Step 5: Verify all connections are tight and secure. Verify the correct breaker size. Verify the ground conductor size and connection per applicable codes.

CAUTION: Ensure that you have made the correct connections. You must follow the wire connection as shown to ensure proper operation of the unit. If you mix up one set of wires with another, the unit will not operate correctly even though it turns on and otherwise appears to function properly.


SIO 14 & SIO 18 Wiring Diagram (U.S.):





FOR U.S.

THE FOLLOWING ELECTRIC INSTRUCTIONS ARE FOR CANADA CUSTOMERS

 CAUTION: Breaker must remain off until installation is complete. **SERIOUS BODILY INJURY OR DEATH COULD OCCUR IF YOU IGNORE THIS WARNING.**

SioGreen products must be installed by a licensed and qualified electrician in accordance with all applicable national, state, and local electrical codes depending on country.

Before installing this product, ensure that the home has sufficient electrical power available to handle the maximum amperage load of the applicable model.

IMPORTANT NOTES:

These units will require 1 set of wire and ground (see wiring diagram), 1 electric breaker, and 2 jumper wires. Jumper wires will be pre-installed by the manufacturer. **DO NOT REMOVE THE JUMPER WIRES.** Removing the jumper wires will void the warranty.

Specifications by Model (CANADA)

MODEL NUMBER	MAX KW	VOLTS	MINIMUM BREAKER	MAX POWER (AMP)	MINIMUM WIRE
SIO 14	14.0	240	60 AMP	58.4	6 AWG
SIO 18	18.0	240	80 AMP	75	4 AWG

Step 1: Remove cover of the water heater carefully and locate the electrical disconnect breaker on the bottom left hand corner facing the unit.

Step 2: Use the correct wire gauge that meets all NEC or country of installation guidelines based on the size of the breakers used to feed the unit and the length of the wire run.

Step 3: Run the set of wires from the home's main panel to the tankless water heater. (See above chart for minimum wire size) This minimum wire size is based on maximum of 50' of length.

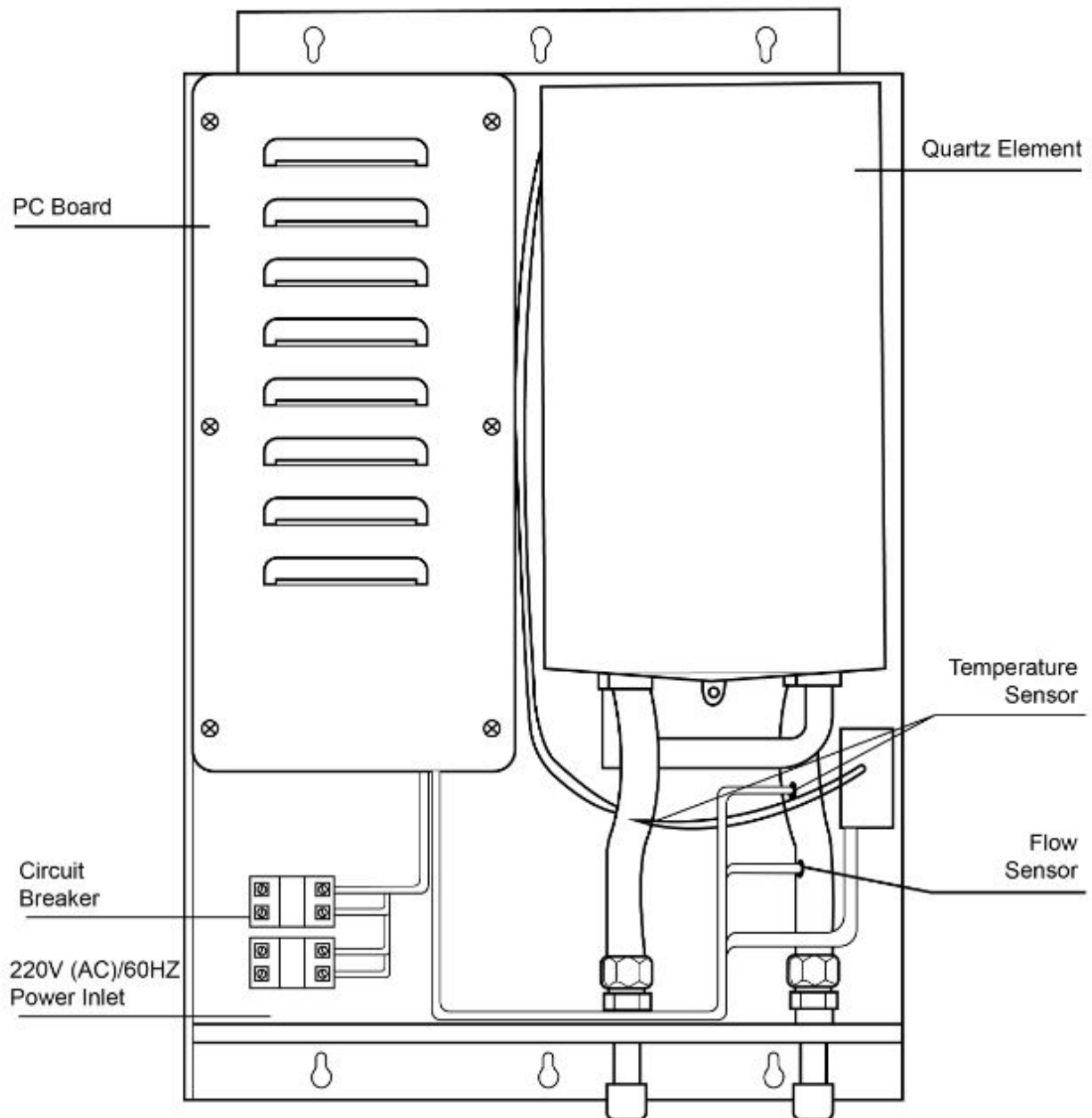
Step 4: A separate ground conductor is required for the incoming circuit.

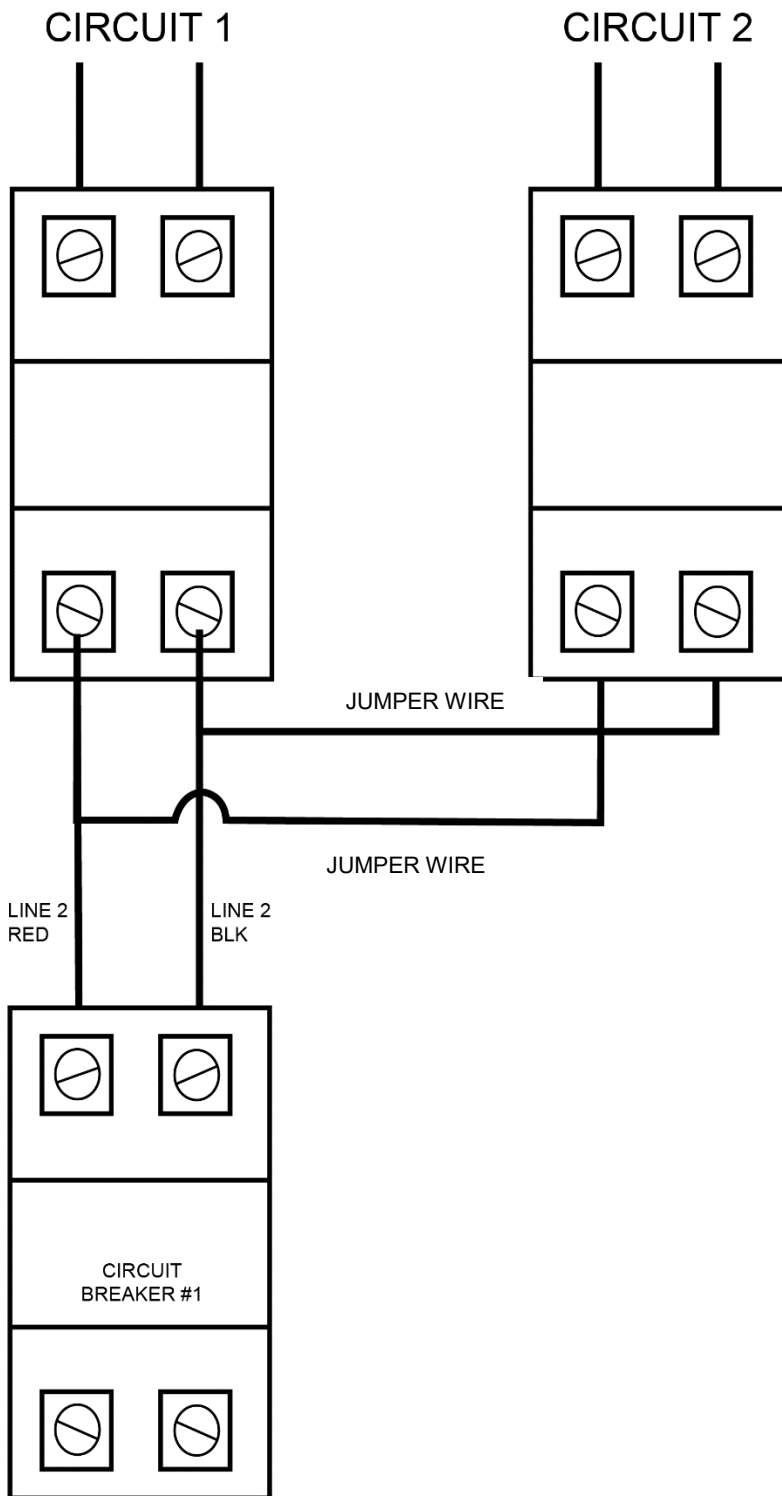
Step 5: Connect the wires to one two-pole breaker (see wiring diagram).

Step 6: Verify all connections are tight and secure. Verify the correct breaker size. Verify the ground conductor size and connection per applicable codes.

CAUTION: Ensure that you have made the correct connections. You must follow the wire connection as shown to ensure proper operation of the unit. If you mix up one set of wires with another, the unit will not operate correctly even though it turns on and otherwise appears to function properly.

SIO 14 & SIO 18 Wiring Diagram (CANADA):





FOR CA.

How to calibrate your hot water using water valve

DANGER: Hotter water increases the potential for hot water SCALD

1. Make sure all electrical wires and water pipes are properly installed. Check the power requirement for each model. Before start up, check that all connections are secure and fittings are tight. Confirm that all air has been purged from the system.
2. Turn power on and verify the unit set temp is 105-110 degrees. Open tub faucet. The water begins to heat and the current temperature is shown in the display. Dial the Gate Valve on the Hot Side Only to calibrate your hot water vs the flow rate. Ideally, you will gain a higher flow rate by lowering the set temp as water moves through the water heaters quartz elements faster. If hotter water is required, simply raise the set temp and/or slow the water flow rate to meet your temperature needs.
3. Calibrate using Gate Valve (water valve) at hot outlet and choose a desirable temperature by pressing the up or down buttons and adjusting the gate valve until you have a comfortable water temperature and flow rate. Never use the cold inlet valve to adjust flow. This will restrict water from flowing in and cause damage to the heating elements.
4. Turn off water and unit is set.

SIZING GUIDE

MODEL NUMBER	MAX KW	Incoming Water Temperature				
		35 F	45 F	55 F	65 F	75 F
SIO 14	14.0	1.70	2.00	2.30	2.80	3.60
SIO 18	18.0	2.20	2.50	3.00	3.60	4.60

GALLONS PER MIN OUTPUT BASED ON WATER TEMP.

TROUBLE SHOOTING

If you are having any problems getting your unit to work after going through the check list, please call our technical support team for any help.

TOLL FREE 1-888-270-8452

You can also email us at:

support@SioGreenUSA.com

Problem	Possible Cause	Solution
Water heater is not heating at all (water is flowing but the unit is not heating - the outgoing water temperature is the same as the cold water supply) or the digital display does NOT light up.	No power or incorrect wiring.	Make sure the breakers at main electrical panel are ON. You may have a faulty breaker or unit may be wired incorrectly.
	Flow sensor is not activating	Open up the system and check to see if anything is stuck in the flow sensor. Verify screen is clean. Contact support.
Water heater is heating, but the water temperature is not hot enough.	Flow rate is too high.	Adjust the water valve to decrease the water flow. This should increase the temperature.
	The unit is under sized for the application	Check map sizing guide to confirm if the correct unit is installed
Unit initially heats then shut off unit and will not restart	Sticky relay	Reset breakers. Call Customer Care for further issues.

No water flow or low water flow	Closed valve or clogged filter or safety screen	Open valve. Clean filter and screen.
Error Code: B1	Inlet Flow Sensor	Open up the system and check to see if anything is stuck in the flow sensor. Verify screen is clean. Contact support.
Error Code: B2	Outlet temperature sensor	Replace sensor. Contact support.

WARRANTY

BUYER'S REPRESENTATION AND LIMITATIONS OF LIABILITY

By accepting and installing the Product, Buyer expressly acknowledges the terms and conditions of the Manufacturer Warranty and hereby expressly accepts and agrees to the Warranty, Representations and Limitations of Liability as set forth below. SioGreen's Warranty Program is only valid for Products Purchased in the United States and installed in the U.S. 50 states.

Manufacturer warrants that the hot water generator and its components as manufactured by the Manufacturer (the "Product") shall be free from defects in materials and workmanship, under normal use and service for the period of time identified below beginning from the date of Purchase. MANUFACTURER MAKES NO WARRANTY TO BUYER WITH RESPECT TO THE WORK OR MAINTENANCE (other than set forth above) AND CUSTOMER DISCLAIMS ALL OTHER WARRANTIES, EXPRESS OR IMPLIED, INCLUDING, WITHOUT LIMITATION, ANY IMPLIED WARRANTY OF MERCHANTABILITY OR FITNESS FOR A PARTICULAR PURPOSE.

IMPORTANT! YOU MUST REGISTER YOUR PRODUCT – WARRANTY REGISTRATION

Buyer's obligation under the terms of purchase and sale require that the Warranty Registration must be returned to Manufacturer within thirty (30) calendar days of delivery of the Product.

Register your product on SioGreen Inc. website:

<https://www.SioGreenUSA.com/support/warranty-registration/>

Please fill out product and contractor information completely. Send or attach the following items (scan or copy) for Warranty Registration:

- Proof of Purchase
- Installer Receipts by licensed Contractor for Warranty in order to protect Buyer's rights and obtain Manufacturer's Warranty benefits

IF THE PRODUCT WARRANTY IS NOT REGISTERED WITHIN THE APPLICABLE TIME FRAME, THEN AFTER THE THIRTY (30) CALENDAR DAYS FROM RECEIPT OF PRODUCT HAVE PASSED, THERE SHALL BE NO RETURNS OR WARRANTY AVAILABLE TO BUYER

TWO (2) YEAR LIMITED WARRANTY

During the two (2) year warranty period beginning at the date the product was originally purchased, if Buyer submits a claim to Manufacturer, Manufacturer will replace the defective model with the same or equivalent model formed from new and/or previously used and/or refurbished parts that are equivalent to new in performance and reliability.

Buyer shall then, at Buyer's sole cost and expense, ship the defective product to Manufacturer at the location provided to Buyer in the e-mail response to Buyer's submitted claim. All returned products must be wrapped and packaged securely to avoid shipping damage. All products must be returned in the same condition as they were received to avoid any additional costs to the Buyer. Buyer shall provide Manufacturer with a valid credit card to use for payment of Manufacturer's shipping and handling costs and to hold on file for assurance for any additional damages to the returned unit reviewed by the Manufacturer.

Once the unit has been received and inspected by Manufacturer, Manufacturer will immediately ship the same or equivalent model formed

from new and/or previously used and/or refurbished parts that are equivalent to new in performance and reliability to Buyer to replace the returned model.

Upon Manufacturer receiving the defective product from Buyer and Buyer receiving the replacement product from Manufacturer, the Warranty obligation set forth hereunder shall be deemed completed satisfactorily.

EIGHT (8) YEAR ADDITIONAL LIMITED HEAT EXCHANGER:

Notwithstanding the foregoing time period, the Heat Exchanger portion of the product shall have an additional Eight (8) year limited warranty beginning at the expiration of the above two (2) year limited warranty. The Heat Exchanger as referred to herein shall mean the body of the heat exchanger, including the composite plastic component parts attached to the body of the heat exchanger. Under this additional warranty, Manufacturer will replace the defective Heat Exchanger should a repair be required. The terms and conditions of this Heat Exchanger additional warranty shall be the same as set forth above under the Two (2) Year Limited Warranty and the same procedures for return and repair of the defective product shall be followed, including the Buyer's requirement to pay for all of the shipping and handling costs.

Manufacturer reserves the right to deny warranty coverage upon Manufacturer's examination of unit.

This WARRANTY is subject to the following:

- a) This Manufacturer Warranty is only applicable to the original purchaser at the original installation address of purchaser ("Buyer"). The Warranty is personal only to the Buyer with proof of purchase and is not available to an individual who is only in possession of the Product.

b) IMPORTANT: MANUFACTURER REQUIRES BUYER TO INSTALL THIS PRODUCT USING A LICENSED CONTRACTOR. OWNER INSTALLATION OF THE PRODUCT VOIDS THE WARRANTY. Manufacturer Warranty is only offered if the Product is installed by a Licensed Contractor who installs the Product in accordance with any national and/or local codes and installed to Manufacturer Specifications using all included components supplied by Manufacturer and other parts that may be required to protect equipment. The Licensed Contractor shall comply with all laws, ordinances, and regulations, both state and federal, applicable to the Product. Buyer is solely responsible for being

compliant with such laws and expressly warrants to Manufacturer that the Product will be installed according to such rules and regulations. Buyer assumes all such risk associated with being compliant with these laws. Buyer agrees to expressly relieve Manufacturer, its agents or employees from any all liability by reason of any action, injury, loss, or damage to any person or property resulting from any lack of compliance on behalf of Buyer, irrespective of the cause of such injury, loss, or damage. Should Buyer not be compliant, Buyer shall have no warranty rights.

c) **WARRANTY DOES NOT COVER:**

- Product misuse, tampering, or misapplication, accidental damage, or improper installation
- Product failure caused by chemical corrosion, or freezing.
- Product failure due to lightning, flood, or other natural or manmade calamities
- Labor charges of any kind
- Costs incurred for shipping, delivery, handling, and/or administrative charges

BUYER'S REPRESENTATIONS

- a) Buyer warrants, acknowledges and agrees that it shall not use the Product other than for the purposes it is intended for. Buyer further warrants that Buyer shall only use the Product in accordance with the Manufacturer's recommended guidelines as set forth in this Manual. Buyer expressly waives all liability and indemnifies and holds Manufacturer harmless for any action against Manufacturer for any deviation by Buyer from the intended purposes of the Product.
- b) Buyer warrants, acknowledges and agrees that Buyer shall not reverse-engineer, modify or create a derivative work of the Product without prior written permission of Manufacturer
- c) Buyer has no right to modify or alter the Product and shall not make any improvements, alterations or modifications to the Product. If Buyer modifies, alters or improves the Product, the Warranty shall be and is

hereby voided

- d) In the event that the Product is not installed or used in accordance with the Manufacturer's specifications as set forth in this manual, any and all warranties either expressed or implied shall be and are hereby voided. Only upon proper installation and use of the Product shall the above warranty apply. Any tampering, misuse or negligence in handling or use of Product shall render the warranty void. Further, any warranty is void if, at any time, Buyer attempts to make any changes to any of the components of the Product.

LIMITATIONS OF LIABILITY

- a) Risk of Loss. Buyer agrees to assume all risk of loss or damage, no matter how occasioned.
- b) Indemnification. The Buyer agrees to indemnify, hold harmless, save and defend Manufacturer and its agents or employees from and against any and all claims, liens, liability, loss or damage, including expenses and attorney's fees, arising out of or in connection with, directly or indirectly, the Product, including claims, liens, liability, loss or damage to any employee, family member, agent or representative of the Buyer. This shall include claims, liens, liability, loss or damage caused by any actual or claimed negligence or gross negligence (active or passive), of Manufacturer and its contractors, agents or employees, either as the sole or contributing cause, whether for damage to property, wherever situated, or bodily or personal injury, including death, resulting from or sustained by any person or persons at any time.
- c) Waiver of Liability. The Client agrees to expressly relieve Manufacturer, its contractors, agents or employees from any and all liability by reason of any injury, loss or damage to any person or property resulting from the installation of the Product, irrespective of the of the cause of such injury, loss or damage.
- d) Manufacturer shall not be liable for any water damage arising, directly or indirectly, from any defect in the hot water heater component part(s)

or from its use.

- e) IN NO EVENT SHALL MANUFACTURER BE LIABLE FOR ANY SPECIAL, INDIRECT, INCIDENTAL, OR CONSEQUENTIAL DAMAGES OR FOR LOST INCOME, LOSS OF PROFITS, SAVINGS OR OTHER ECONOMIC LOSS ARISING OUT OF OR CONNECTED WITH THIS PRODUCT, REGARDLESS OF WHETHER A CLAIM IS BASED ON CONTRACT, TORT, STRICT LIABILITY OR OTHERWISE.

- f) NOTWITHSTANDING ANYTHING TO THE CONTRARY CONTAINED IN THIS MANUAL, THE LIABILITY FOR DAMAGES FROM ANY AND ALL CAUSES WHATSOEVER AND REGARDLESS OF THE FORM OF ACTION, WHETHER IN CONTRACT, TORT OR NEGLIGENCE, SHALL NOT EXCEED THE AMOUNT OF THE PRODUCT PRICE

Choice of Law.

The laws and statutes of the State of Florida shall govern the construction, interpretation, and performance of this Manual and Warranty. Any conflict in law shall be resolved in favor of the laws and statutes of the State of Florida. Venue for any dispute shall lie in Pinellas County, Florida.

Manufacturer Contact:

SioGreen Inc.

4501 107th Circle N. Suite #1

Clearwater, FL 33762

888-270-8452

www.SioGreenUSA.com

Customer Support: support@SioGreenUSA.com

Manufacturer reserves the right to discontinue, or change at any time, specifications or designs without notice and without incurring obligation.